

## Wireless module - RAD-ISM-900-BD-BUS - 2867092

Please be informed that the data shown in this PDF Document is generated from our Online Catalog. Please find the complete data in the user's documentation. Our General Terms of Use for Downloads are valid (<http://phoenixcontact.com/download>)



Transceiver (transmitter and receiver) for expanding point to multipoint connections and repeater circuits, for 900 MHz bidirectional wireless transmission system (America)

### Your advantages

- Two omnidirectional antennas (optional)
- Additional transceivers can be added to configure repeater systems
- No additional parameterization or programming required
- Individual transceivers are listed under Class I, Division 2
- Operates in the license-free 902 - 928 MHz ISM band
- Frequency hopping spread spectrum
- The integrated bus foot enables connection to additional I/O modules
- Each transceiver has 1 analog input (4 ... 20 mA) and 2 digital inputs (5 ... 30 V AC/DC), as well as 1 analog output and 2 digital outputs, for direct connection to compatible sensors and actuators and for data transmission in both directions
- Status of the wireless connection via a relay (RF link)



### Key Commercial Data

Packing unit	1 pc
Weight per Piece (excluding packing)	200.000 g
Custom tariff number	85176200
Country of origin	Canada

### Technical data

#### Note

Trade restriction	The products are offered exclusively for export outside the EU and the European Economic Area.
-------------------	--

#### Dimensions

Width	22.5 mm
-------	---------

## Wireless module - RAD-ISM-900-BD-BUS - 2867092

### Technical data

#### Dimensions

Height	99 mm
Depth	114.5 mm

#### Ambient conditions

Ambient temperature (operation)	-40 °C ... 70 °C
Ambient temperature (storage/transport)	-40 °C ... 85 °C
Degree of protection	IP20

#### Wireless set

Set contents	1 transceiver
--------------	---------------

#### General

Mounting position	any
Assembly instructions	on standard DIN rail NS 35 in accordance with EN 60715
Housing material	Polyamide PA non-reinforced

#### Connection data

Conductor cross section solid min.	0.2 mm <sup>2</sup>
Conductor cross section solid max.	4 mm <sup>2</sup>
Conductor cross section flexible min.	0.2 mm <sup>2</sup>
Conductor cross section flexible max.	2.5 mm <sup>2</sup>
Conductor cross section AWG min.	24
Conductor cross section AWG max.	14
Connection method	Screw connection
Stripping length	8 mm
Screw thread	M3

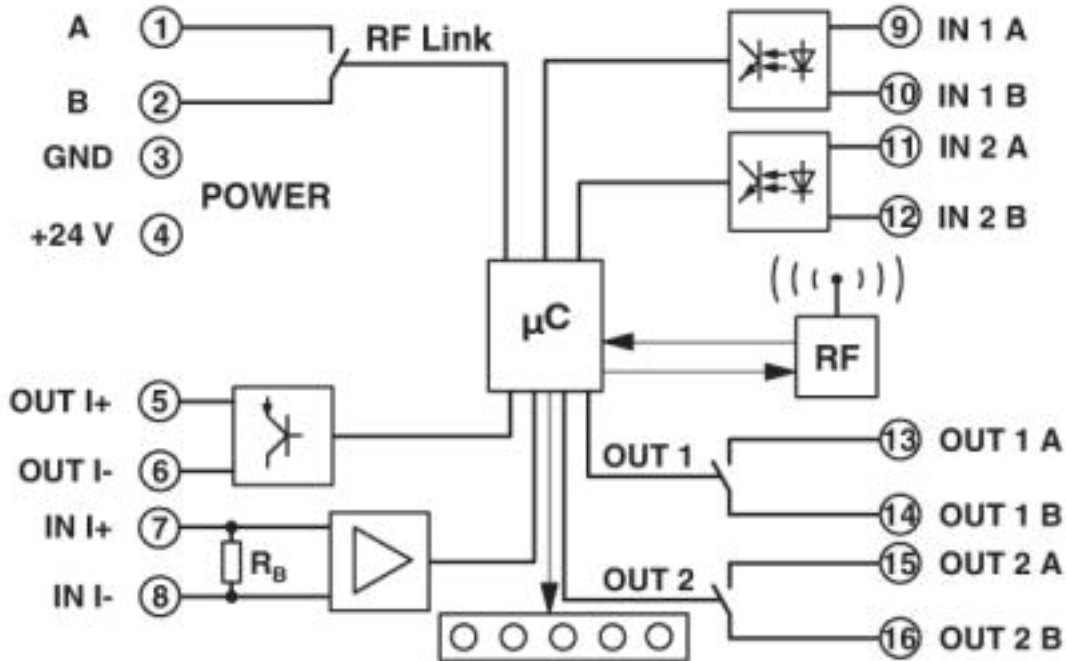
#### Standards and Regulations

Electromagnetic compatibility	FCC Part 15.247 / ISC RSS 210
Conformance	FCC Directive, Part 15.247
	ISC Directive RSS 210
UL, USA/Canada	Class I, Div. 2, Groups A, B, C, D

### Drawings

# Wireless module - RAD-ISM-900-BD-BUS - 2867092

Block diagram



## Classifications

### eCl@ss

eCl@ss 4.0	27250312
eCl@ss 4.1	27250312
eCl@ss 5.0	27242208
eCl@ss 5.1	27242208
eCl@ss 6.0	27242208
eCl@ss 7.0	27242208

### ETIM

ETIM 2.0	EC000310
ETIM 3.0	EC000310
ETIM 4.0	EC000310
ETIM 5.0	EC000310

### UNSPSC

UNSPSC 6.01	30211506
UNSPSC 7.0901	43223108
UNSPSC 11	39121008

# Wireless module - RAD-ISM-900-BD-BUS - 2867092

## Classifications

### UNSPSC

UNSPSC 12.01	43223108
UNSPSC 13.2	43223108

## Accessories

### Accessories

#### Adapter cable

##### Antenna cable - RAD-CON-MCX-N-SB - 2867717



Antenna cable, outside diameter: 2.5 mm (0.1 in.), inner conductor: stranded, attenuation: 0.9 dB at 900 MHz, connection: MCX (male) -> N (female), cable length: 1.2 m (4 ft.)

##### Antenna cable - RAD-CON-SMA-N-SS - 2867403



Antenna cable, outside diameter: 2.5 mm (0.1 in.), inner conductor: stranded, attenuation: 0.9 dB at 900 MHz, connection: SMA (male) -> N (male), cable length: 1.2 m (4 ft.)

##### Antenna cable - RAD-CON-MCX-MCX-SS - 2867607



Antenna cable, outside diameter: 2.8 mm (0.11 in.), inner conductor: stranded, attenuation: 0.9 dB at 900 MHz, connection: MCX (male) -> MCX (male), cable length: 0.3 m (1 ft.)

##### Antenna cable - RAD-CON-MCX90-N-SS - 2885207



Antenna cable, outside diameter: 2.5 mm (0.1 in.), inner conductor: stranded, attenuation: 0.9 dB at 900 MHz, connection: 90° MCX (male) -> N (male), cable length: 1.2 m (4 ft.)

## Antenna

## Wireless module - RAD-ISM-900-BD-BUS - 2867092

### Accessories

#### Antenna - RAD-ISM-900-ANT-OMNI-5 - 2867199



Omnidirectional antenna, 900 MHz, gain: 7 dBi, polarization: linear, opening angle: h/v 360°/30°, degree of protection: IP65, connection: N (female), incl. mounting bracket and mast clips

---

#### Antenna - RAD-ISM-900-ANT-OMNI-FG-3-N - 2867791



Omnidirectional antenna, 900 MHz, gain: 5 dBi, polarization: linear, opening angle: h/v 360°/28°, degree of protection: IP65, connection: N (female), incl. mounting bracket and mast clips

---

#### Antenna - RAD-ISM-900-ANT-YAGI-3-N - 2867801



Directional antenna, 868 MHz / 900 MHz, gain: 5 dBi, polarization: linear, opening angle: h/v 168°/78°, degree of protection: IP65, connection: N (female), incl. mounting bracket and mast clips

---

#### Antenna - RAD-ISM-900-ANT-YAGI-6.5-N - 2867814



Directional antenna, 868 MHz / 900 MHz, gain: 8.5 dBi, polarization: linear, opening angle: h/v 100°/62°, degree of protection: IP65, connection: N (female), incl. mounting bracket and mast clips

---

#### Antenna - RAD-ISM-900-ANT-YAGI-6.5-25-AS - 2867827



Panel antenna with surge protection, adapter cable MCX->N and assembly material, IP65 protection, gain 8.5 dBi, cable length 7.6 m, connection N (female)

## Wireless module - RAD-ISM-900-BD-BUS - 2867092

### Accessories

Antenna - RAD-ISM-900-ANT-YAGI-6.5-50-AS - 2867830



Panel antenna with surge protection, adapter cable MCX->N and assembly material, IP65 protection, gain 8.5 dBi, cable length 15.2 m, connection N (female)

---

Antenna - RAD-ISM-900-ANT-OMNI-0-6 - 2867160



Omnidirectional antenna, 900 MHz, gain: 2 dBi, polarization: linear, opening angle: h 360°, degree of protection: IP65, connection: MCX (male), incl. 2 m / 6.5 ft. connecting cable and mounting bracket for wall mounting

---

Antenna - RAD-ISM-900-ANT-OMNI-FG-6-N - 2885579



Omnidirectional antenna, 900 MHz, gain: 8 dBi, polarization: linear, opening angle: h/v 360°/15°, degree of protection: IP65, connection: N (female), incl. mounting bracket and mast clips

---

### Coaxial adapter

Antenna splitter - RAD-ISM-900-ANT-4 - 2867050



4-way distributor for antenna signals (antenna splitter), MCX connection (female)

---

### Coaxial cable

Antenna cable - RAD-CAB-RG58-10 - 2867364



Antenna extension cable, length: 10 ft

## Wireless module - RAD-ISM-900-BD-BUS - 2867092

### Accessories

---

Antenna cable - RAD-CAB-RG58-20 - 2867212



Antenna extension cable, length: 20 ft

---

Antenna cable - RAD-CAB-RG213-25 - 2867597



Antenna extension cable, length: 25 ft

---

Antenna cable - RAD-CAB-RG213-40 - 2867377



Antenna cable, outside diameter: 10 mm (0.4 in.), inner conductor: solid, attenuation: 2.9 dB at 900 MHz, connection: 2 x N (male), cable length: 12 m (40 ft.)

---

Antenna cable - RAD-CAB-RG213-50 - 2867225



Antenna cable, outside diameter: 10 mm (0.4 in.), inner conductor: solid, attenuation: 3.5 dB at 900 MHz, connection: 2 x N (male), cable length: 15 m (50 ft.)

---

Antenna cable - RAD-CAB-PFP400-60 - 2867380



Antenna cable, outside diameter: 10 mm (0.4 in.), inner conductor: solid, attenuation: 2.5 / 4.2 / 6.3 dB at 0.9 / 2.4 / 5.8 GHz, connection: 2x N (male), cable length: 18 m (60 ft.)

---

## Wireless module - RAD-ISM-900-BD-BUS - 2867092

### Accessories

#### Antenna cable - RAD-CAB-PFP400-80 - 2867393



Antenna cable, outside diameter: 10 mm (0.4 in.), inner conductor: solid, attenuation: 3.3 / 5.6 / 8.4 dB at 0.9 / 2.4 / 5.8 GHz, connection: 2x N (male), cable length: 24 m (80 ft.)

---

#### Antenna cable - RAD-CAB-PFP400-100 - 2867238



Antenna cable, outside diameter: 10 mm (0.4 in.), inner conductor: solid, attenuation: 4.1 / 6.9 / 10.4 dB at 0.9 / 2.4 / 5.8 GHz, connection: 2x N (male), cable length: 30 m (100 ft.)

---

#### Antenna cable - RAD-CAB-LMR600-125 - 2885210



Antenna extension cable, length: 125 ft

---

#### Antenna cable - RAD-CAB-PFP600-150 - 2885184



Antenna cable, outside diameter: 15 mm (0.6 in.), inner conductor: solid, attenuation: 3.9 / 6.8 / 10.4 dB at 0.9 / 2.4 / 5.8 GHz, connection: 2x N (male), cable length: 45 m (150 ft.)

---

#### Antenna cable - RAD-CAB-PFP900-200 - 2885197



Antenna extension cable, length: 200 ft

---

### Extension module

## Wireless module - RAD-ISM-900-BD-BUS - 2867092

### Accessories

Extension module - RAD-IN-4A-I - 2867115



Analog extension module with 4 analog current inputs 4 mA ... 20 mA

---

Extension module - RAD-OUT-4A-I - 2867128



Analog extension module with 4 analog current outputs 4 mA ... 20mA

---

Extension module - RAD-IN-8D - 2867144



Digital extension module with 8 digital inputs

---

Extension module - RAD-OUT-8D-REL - 2867157



Digital extension module with 8 digital outputs

---

Extension module - RAD-IN+OUT-2D-1A-I - 2867322



Analog /digital module for 2 digital inputs/outputs and 1 analog input/output

---

## Wireless module - RAD-ISM-900-BD-BUS - 2867092

### Accessories

Extension module - RAD-IN-2D-CNT - 2885223



Digital extension module with 2 digital inputs for measuring pulses and frequencies

---

Extension module - RAD-OUT-2D-CNT - 2885236



Digital extension module with 2 digital outputs for output of pulses and frequencies

---